

# Kempower Satellite

## Advanced charging satellite system for charging sites

Kempower's advanced satellite charging system is the optimal solution for public charging, and other charging sites where there is need for multiple charging outputs.

The satellites are connected to Kempower Power Unit.

One Power Unit can be connected to up to 8 charging outputs using any combination of single or double output satellites.

The available maximum charging power of all outputs in the satellite charging system is up to 600 kW depending on the Power Unit version.

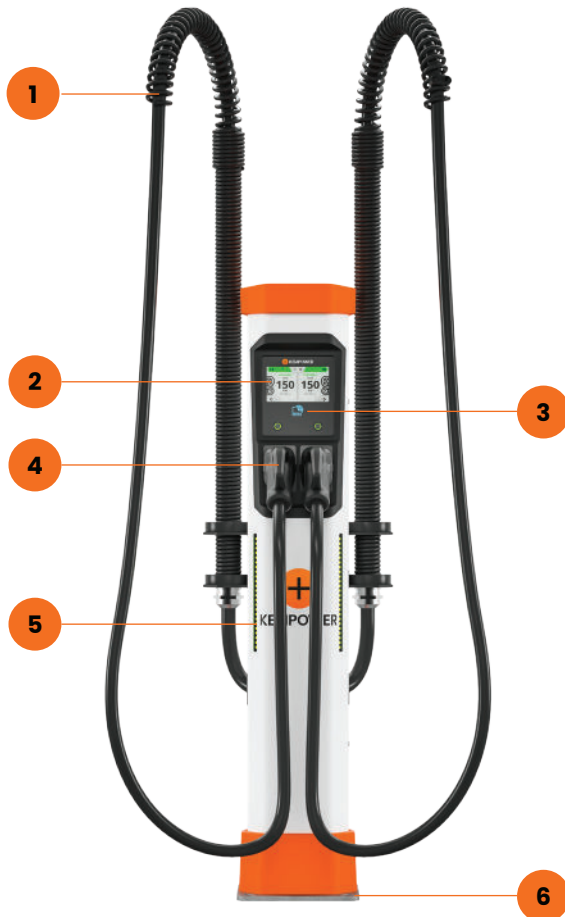


Maximum charging power

Up to **400 kW**

Number of satellites in the system

**1-8**



- 1. Charging cable support spring system
- 2. 7" touch screen display
- 3. RFID reader (ISO14443A)
- 4. Charging cable plugs
- 5. Charging status indication LEDs
- 6. Mounting flange



Advanced cable support system (pat. pend.) to provide premium user experience



Easy-to-use, intuitive user menu on a 7" touch screen display



On-screen QR code to follow the charging status on the user's mobile phone



Kempower advanced charging satellite system with up to 8 charging outputs simultaneously



The recommended cabling distance between Power Unit and Satellite is up to 80 meters



Advanced charging control and customization options with Kempower ChargeEye solution

## Product code interpretation examples:

### SCD5DS

### SCC7DPC0

S	Kempower Satellite
CD, CC	Charging method, CD = CCS2 & CHAdeMO, CC = 2 x CCS2
5D, 7D	Charging cable, 5 = 5 m, 7 = 7 m, D = 250 A nominal charging cable current
S, P	User interface, S = standard interface P = EMV contactless payment terminal without PIN entry possibility
C0	Unbranded, no stickers, black roof & base

## Charging method

C	CCS2
CC	2 x CCS2
CD	CCS2 & CHAdeMO
X*	CCS2 / CHAdeMO *allows up to 16 outputs per one Power Unit, max. 8 outputs charging simultaneously
D	CHAdeMO

## Nominal charging cable current

B	125 A (CHAdeMO)
C	200 A (CCS2)
D	250 A (CCS2)
E	300 A* (CCS2)

\*500 A (max. 10 min) in +25°C with single charging output.

Requires at least 3 output terminals connected at Power Unit, and a specific hardware configuration.

\*375 A continuous in +25°C with double charging outputs.

Requires at least 2 output terminals connected at Power Unit, and a specific hardware configuration.

## General electric specification

DC charging plug options	CCS2 IEC 62196-3, CHAdeMO
Voltage	Max. 1000 VDC
Standby power	25 W

## Environmental specifications

Operating temperature	-30...+50°C
Current derating	-1.5% of max. charging current per 1°C (above +40°C)
Maximum altitude	2000 m (without altitude derating)
Altitude derating	-1.4% of max. charging current per 100 m (above 2000 m )
Storage temperature	-40...+60°C
Enclosure	IP54, IK10
Ambient air humidity	< 95% relative humidity

## Connections & Protocols (via Power Unit / Station Charger)

WiFi	802.11 b/g/n (2.4/5 GHz)
Cellular / GPS	LTE-FDD, LTE-TDD, WCDMA, GSM
Ethernet	RJ45, IEEE 802.3 / 802.3u
OCPP	1.6j / 2.0.1
Connectivity	Kempower ChargEye solution
CCS2	DIN70121:2012, ISO15118:2013, ISO15118:2010
CHAdeMO	0.9 / 1.0 / 2.0

## Electrical protections

Charging cable temperature monitoring

Product code	Charging outputs	Charging method	Simult. charging with 2 outputs	Max. continuous charging current	Charging power at 400 VDC	Charging power at 800 VDC (w/ C800)	Weight
--------------	------------------	-----------------	---------------------------------	----------------------------------	---------------------------	-------------------------------------	--------

**Product codes with 5 m charging cables**

SC5CS	1	CCS2	N/A	200 A	80 kW	160 kW	66 kg
SC5DS	1	CCS2	N/A	250 A	100 kW	200 kW	94 kg
SC5ES	1	CCS2	N/A	300 A	120 kW	240 kW	99 kg
SCC5CS	2	2 x CCS2	yes	2 x 200 A	2 x 80 kW	2 x 160 kW	99 kg
SCC5DS	2	2 x CCS2	yes	2 x 250 A	2 x 100 kW	2 x 200 kW	154 kg
SCD5CBS	2	CCS2 & CHAdeMO	yes	200 A & 125 A	80 kW & 50 kW	160 kW & 100 kW	96 kg
SCD5DBS	2	CCS2 & CHAdeMO	yes	250 A & 125 A	100 kW & 50 kW	200 kW & 100 kW	124 kg
SCD5EBS	2	CCS2 & CHAdeMO	yes	300 A & 125 A	120 kW & 50 kW	240 kW & 100 kW	129 kg
SX5EBS	2	CCS2 / CHAdeMO	no	300 A / 125 A	120 kW / 50 kW	240 kW / 100 kW	129 kg
SD5BS	1	CHAdeMO	N/A	125 A	50 kW	100 kW	63 kg

**Product codes with 7 m charging cables**

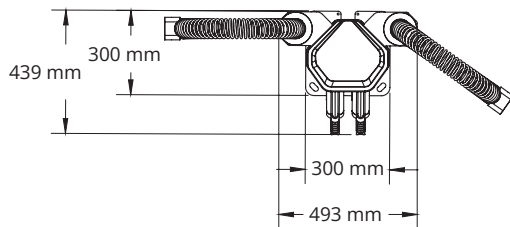
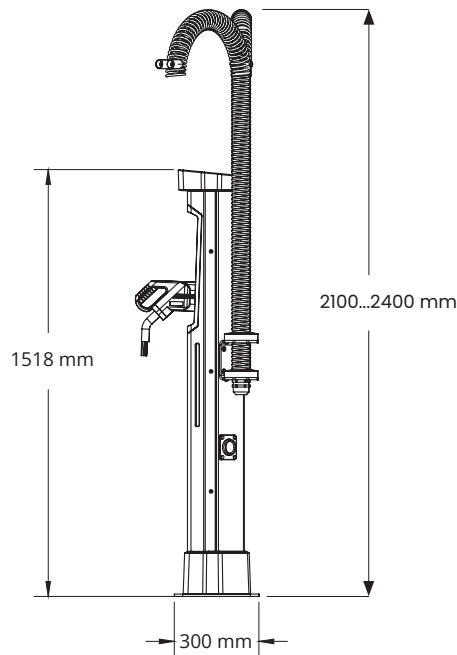
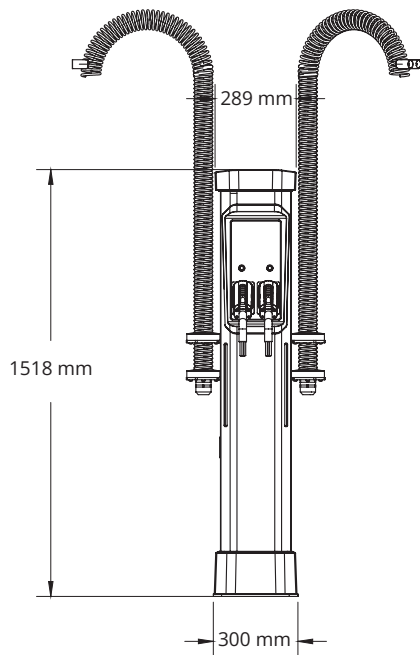
SC7CS	1	CCS2	N/A	200 A	80 kW	160 kW	68 kg
SC7DS	1	CCS2	N/A	250 A	100 kW	200 kW	96 kg
SC7ES	1	CCS2	N/A	300 A	120 kW	240 kW	103 kg
SCC7CS	2	2 x CCS2	yes	2 x 200 A	2 x 80 kW	2 x 160 kW	103 kg
SCC7DS	2	2 x CCS2	yes	2 x 250 A	2 x 100 kW	2 x 200 kW	159 kg
SCD7CBS	2	CCS2 & CHAdeMO	yes	200 A & 125 A	80 kW & 50 kW	160 kW & 100 kW	99 kg
SCD7DBS	2	CCS2 & CHAdeMO	yes	250 A & 125 A	100 kW & 50 kW	200 kW & 100 kW	128 kg
SCD7EBS	2	CCS2 & CHAdeMO	yes	300 A & 125 A	120 kW & 50 kW	240 kW & 100 kW	134 kg
SX7EBS	2	CCS2 / CHAdeMO	no	300 A / 125 A	120 kW / 50 kW	240 kW / 100 kW	134 kg
SD7BS	1	CHAdeMO	N/A	125 A	50 kW	100 kW	65 kg

**Note:** versions with payment terminal, change S to P in the end of the product code, e.g. SC7BP

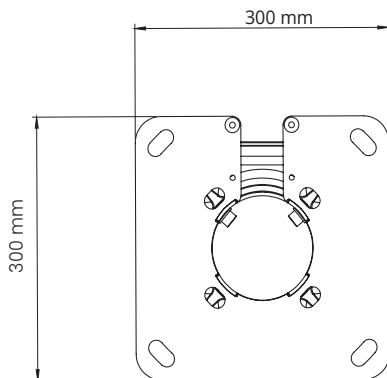
## Mechanical dimensions (WxHxD), footprint

300 x 1518 x 300 mm

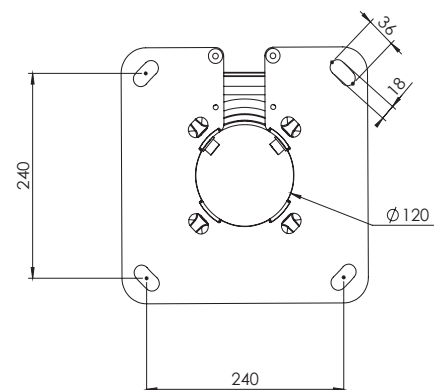
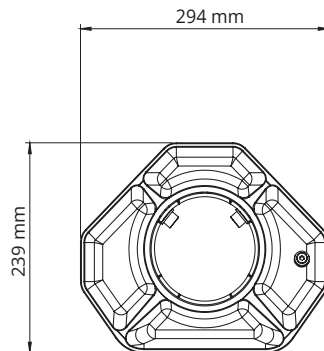
### Kempower Satellite with two DC charging outputs



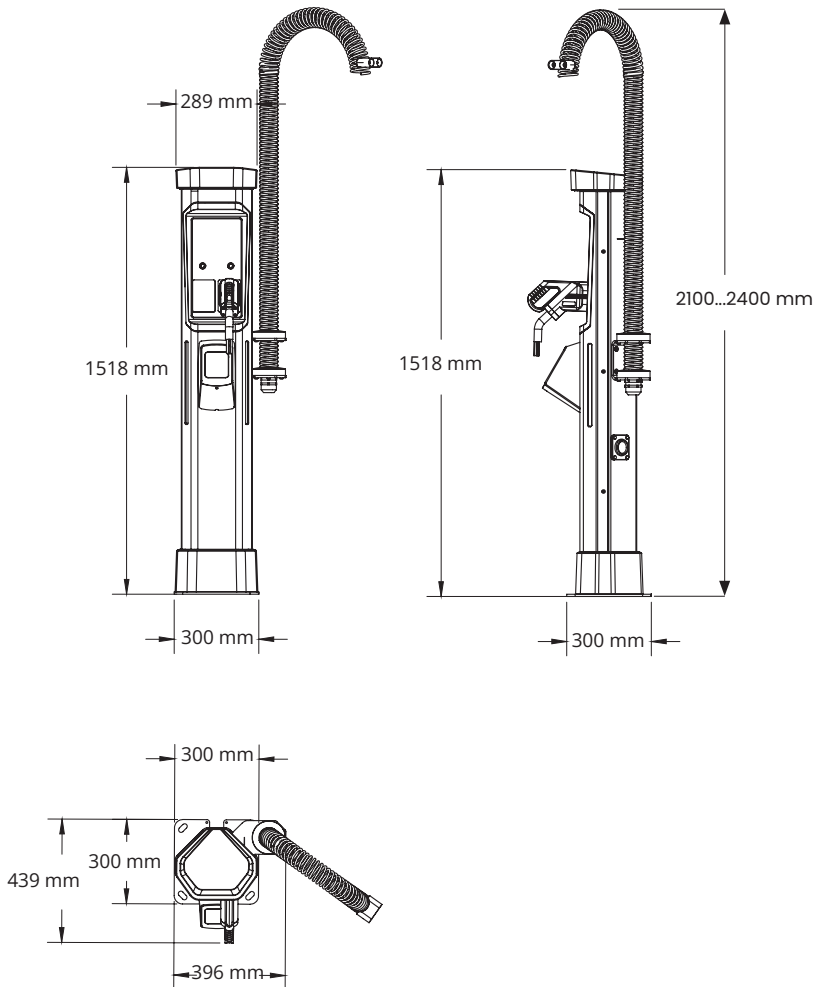
Footprint of standard surface mounting flange



Footprint with mounting pipe



## Kempower Satellite with one DC charging output and EMV contactless payment terminal



## Compliance to standards

Electrical safety	IEC 61851-1 IEC 61851-23
EMC, Harmonics	IEC 61851-21-2

## Options

CCSI charging cables	Available upon request
Customized branding	Customer branding options (colors, stickers)*

\*Please consult Kempower for availability, pricing and MOQ

